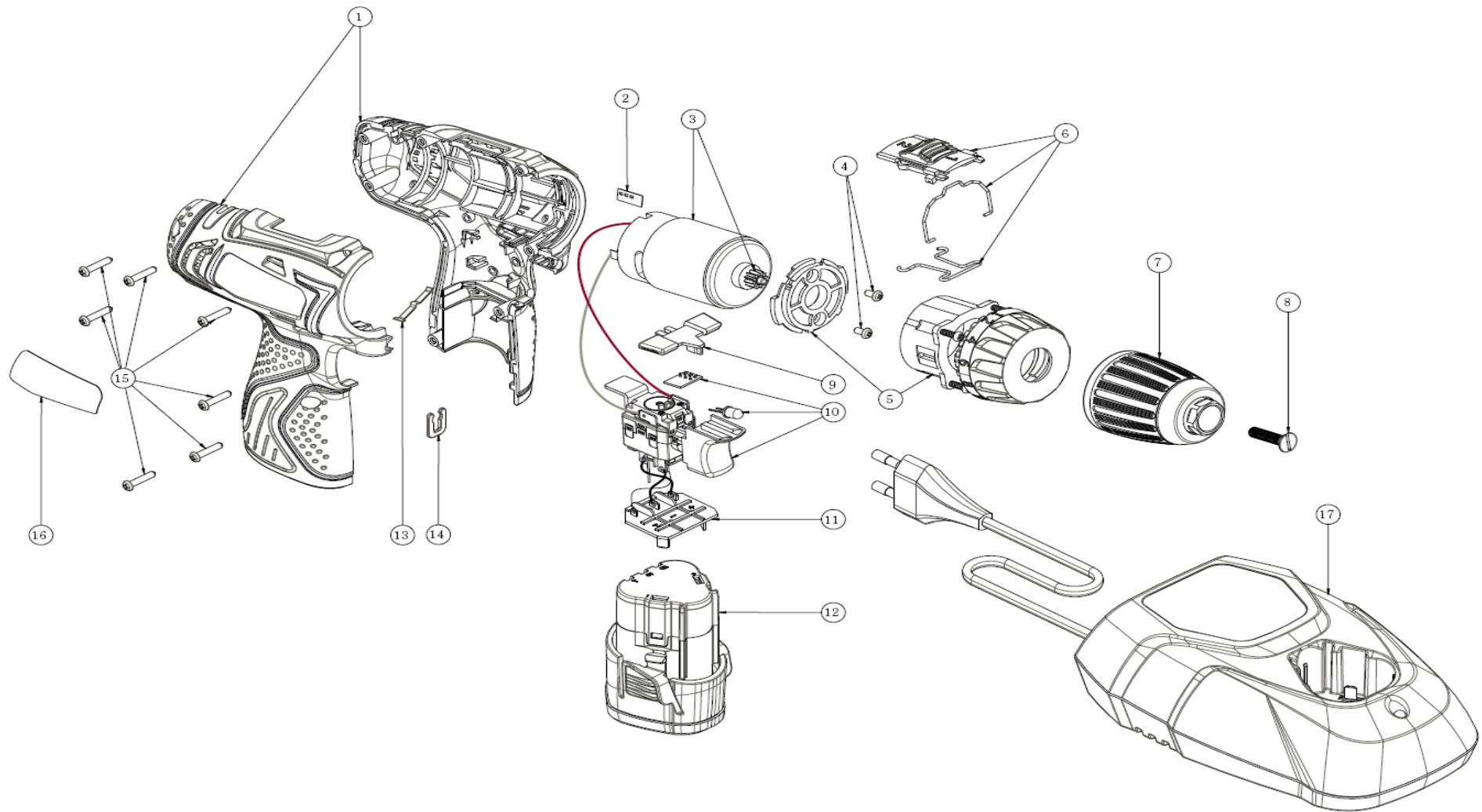


DD-1202L-2



No	PART No	PART NAME	SPEC.	Qty
	8003683	CORDLESS DRIVER DRILL [DD-1202L-2(CE,BROWN)]	10.8V 1.5Ah(CE,BROWN);	
1	2110381	HOUSING ASSY (DD-1202L-2)]	:PA6-GF33+TPE;	1
2	7735666	INLAY(HARDTOOL),HT1080 (HARDTOOL),HT1080]	BLACK,5.9*14.8mm	1
3	3119264	DC MOTOR	MABUCHI,RS550VC-8022	1
4	2400085	PAN HD M/C SCREW [M3X5]	M3X5,COAT	2
5	3109142	GEAR BOX ASSY		1
6	2115192	SHIFT KNOB (DD-1202L-2)]	:PA6-GF33;	1
7	2456124	KEYLESS CHUCK(10mm,WEIDA)	RV10E/3/8" -24UNF	1
8	2404809	SPECIAL SCREW	M5*22	1
9	2115193	REVERSE KNOB (DD-1202L-2)]	:PC	1
10	2009761	TRIG. SWITCH [DD-1202L-2]	:12VDC 12A;	1
11	3150415	TERMINAL(D) ASSY	BLACK	1
12	3115883	BATTERY PACK ASSY(WITHOUT LABEL)	DC 10.8V,1.3Ah	2
13	2056412	CLICK SPRING	SK5	1
14	2056413	CLIP(U)	SK5	1
15	2400086	PAN HD TAP SCREW [M3X16]	M3X16	7
16	7910707	NAME PLATE(CE,BLACK)DD-1202L-2 (CE,BLACK)DD-1202L-2]	CE,BLACK;	1
17	3115845	CHARGER ASSY(without label)	220-240V~ 50/60Hz,35min(CE)	1
	3050875	PLASTIC KIT ASSY (DD-1202L)		1

